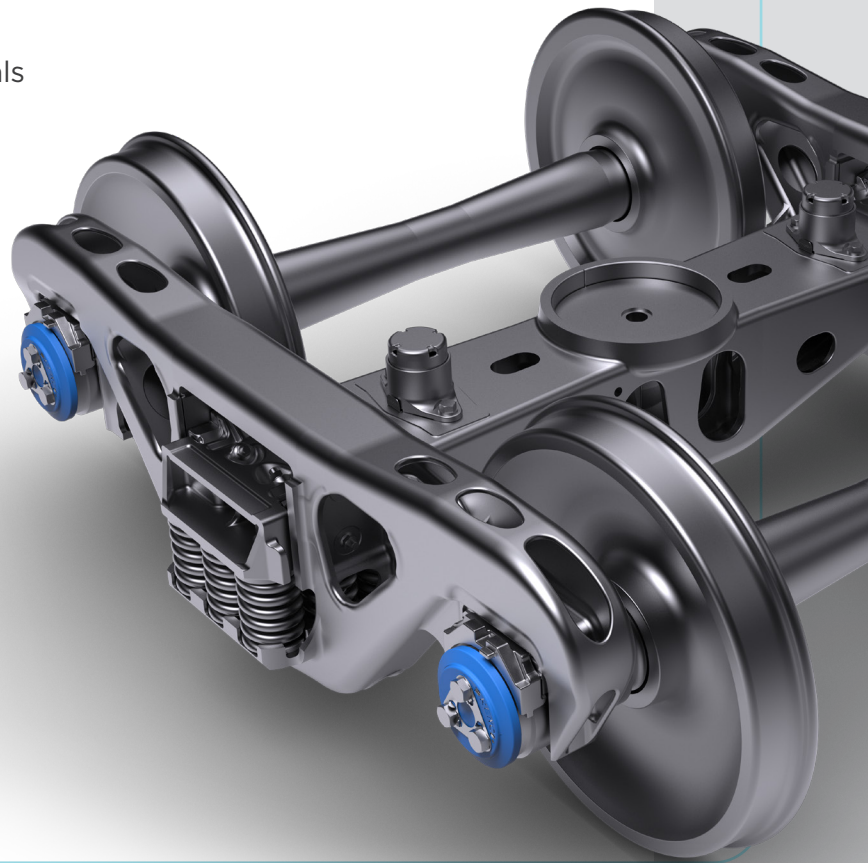


# TRAKMASTER<sup>®</sup> ADVANCED BOGIE SYSTEM

Built for high mileage, heavy axle load railcars where bogie weight, performance and durability matter

- ▶ Successfully met the latest AAR M-976 specification criteria with updated track profiles
- ▶ Offers increased maintenance intervals
- ▶ Reduced maintenance costs
  - ▶ Improved wheel life
  - ▶ Prolonged bogie component life
- ▶ Better curving performance to reduce wheel flange wear
- ▶ Yields improved brake system alignment
- ▶ Incorporates advanced innovative suspension components
  - ▶ Improved steering with Adapter Plus<sup>®</sup> bearing adapter system
  - ▶ Optimized dual rate suspension
  - ▶ Advanced friction materials



## AMSTED RAIL, THE GLOBAL LEADER IN FULLY INTEGRATED FREIGHT CAR SYSTEMS FOR THE HEAVY HAUL RAIL MARKET.

Amsted Rail is the world's leading provider of undercarriage and end-of-car railcar components, with facilities spanning six continents. Through our state-of-the-art manufacturing processes, Amsted Rail has been redefining industry standards for innovation and technology since 1877, providing our customers worldwide with unmatched performance and reliability for the long haul.

To learn more, visit [www.amstedrail.com](http://www.amstedrail.com).

